

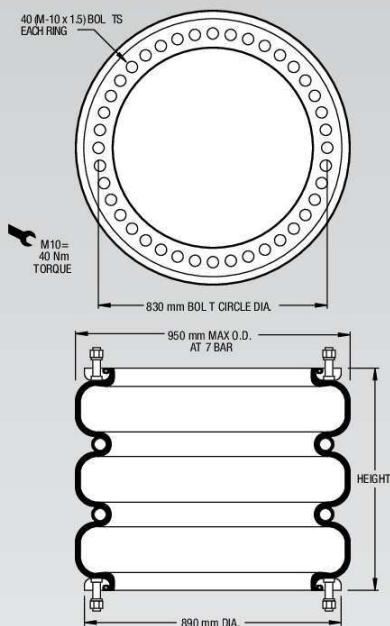
Firestone Standard 3-fach

Typ Serie/Model	W01-M58-6971	Max. Arbeits-höhe (mm)	490
Style	348-3	Max. Tragkraft (kN)	443
Hub in mm	444	Einbauraum (mm)	980
Anzahl Bälge	3-fach	Max. Durchmesser (mm)	950
Min. Höhe (mm)	140	Gewicht (kg)	980
Max. Höhe (mm)	584	Luft-an-schluss	BR

AIRSTROKE AIRMOUNT Firestone 348-3

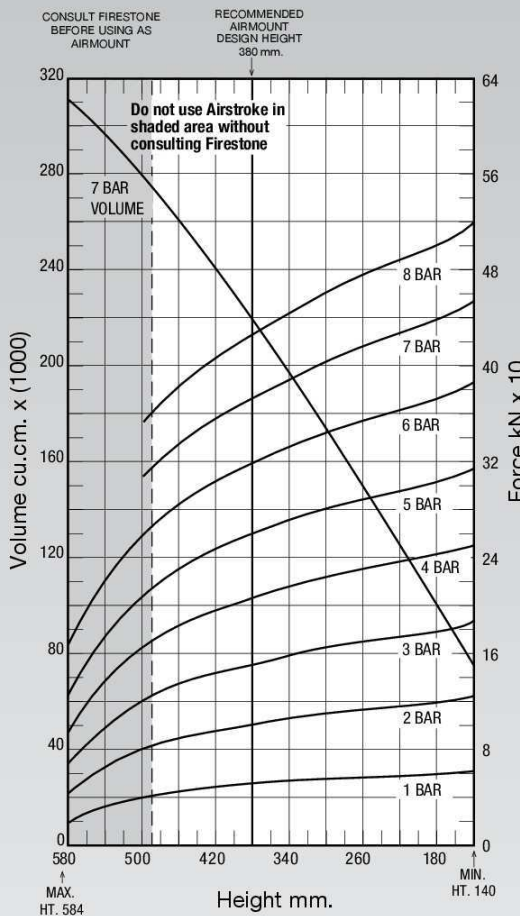
NOTE: All Assembly Order Numbers are for bead ring parts unless noted otherwise.

	Description	Assembly Order No.
Style 348-3	Ribbed neck aluminum bead rings (equal spacing), 45 mm bolts, nuts, washers	W01-M58-6971
High Strength Construction	Rubber bellows only	W01-358-1023
Assembly weight.....47.13 kg.		
Force to collapse to minimum height (@ 0 BAR).....1690 N.		



NOTE: The effective length of the 45 mm bolt is 23 mm in this bead ring.

Gauge Pressure (BAR)	Load (kN)	Spring Rate (kN/m)	Natural Frequency Hz
3	150.16	853	1.19
4	204.95	1110	1.16
5	258.67	1358	1.14
6	317.66	1614	1.12
7	371.47	1839	1.11



See page 12 for instructions on how to use chart.

Assembly Height (mm)	Volume @ 7 BAR (cu cm)	EFF Area @ 7 BAR (cm sq)	kN Force				
			@ 3 BAR	@ 4 BAR	@ 5 BAR	@ 6 BAR	@ 7 BAR
480	270750	4561	127.37	173.02	217.83	270.35	319.21
440	250951	4919	138.66	188.24	237.29	292.98	344.32
400	230507	5189	146.63	199.91	252.25	310.21	363.21
360	208945	5418	153.57	209.53	264.45	324.50	379.23
320	185692	5635	160.48	217.86	274.75	337.23	394.37
280	161999	5837	166.81	225.16	283.33	348.39	408.53
240	138075	6014	171.63	231.86	290.68	357.85	420.92
200	113324	6165	175.04	238.45	297.89	366.36	431.46
160	87906	6334	180.41	245.13	306.87	377.11	443.32

Angebots-Anfrageformular

Menge

Hub in mm

Max. Tragkraft

Temperaturbereich

Material

Anwendungsbereich

Persönliche Daten

Firma

Vorname

Nachname

Email

Straße, Nr

Plz, Ort

Telefon

Telefax

Weitere Anmerkungen